

Introduction

The Spartan-Ile Development Platform is designed to provide a complete and consistent FPGA development platform which is especially well suited to develop FPGA-centric processing applications. The platform provides all components required to create embedded processor systems consisting of:

- High-density FPGA, implementing a soft-CPU, e.g. Xilinx' *MicroBlaze*, and application-specific logic
- Memory sub-system combining flash memory and SRAM to store firmware, non-volatile data and dynamic data
- Peripherals for simple user interaction and in-system debugging
- Expansion ports to interface with application-specific circuitry

In typical desktop applications, the Spartan-Ile Development Platform does not require any additional hardware or software components besides a standard PC with USB connector. This makes the Spartan-Ile Development Platform an ideal solution for:

- Training and education
- Development of intellectual property
- Firmware development
- Prototyping
- Industrial control applications

The TE-XC2Se board, the basis of the Spartan-Ile Development Platform, comes in the well known 160x100mm *Euro* form factor with VG96 connector. The mechanical dimensions and connectors have been chosen to meet the following requirements:

- convenient for desktop applications
- easy integration into rack-mount systems
- simple and reliable expansion

The TE-XC2Se board provides the following key features:

- 300K or 400K gate Spartan-IIE FPGA
- 8 or 16Mbit (8 or 16 bit wide) of flash memory
- 4Mbit (256K x 16-Bit) of Static RAM
- LCD with 2x16 characters and backlight
- Universal Serial Bus interface
- RS232 interface
- VGA monitor output
- LEDs, DIP switches and push buttons
- Up to 100 user I/Os

In addition to the TE-XC2Se board, the Spartan-Ile Development Platform contains the following components:

- complete FPGA design environment including design entry and HDL synthesis
- Ready-to-Use IP-Modules encapsulating standard functionality
- Documentation, tutorials and comprehensive application notes

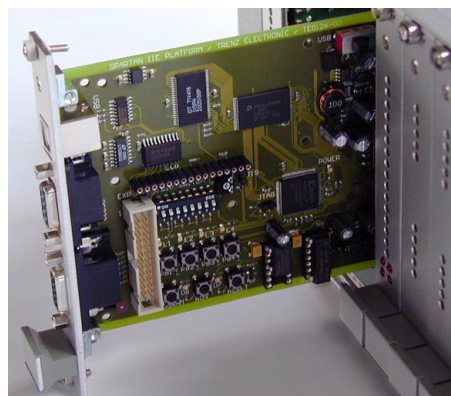


Figure 1: Spartan-Ile Development Platform

User's Guide

Packing List

Your Spartan-Ile Development Platform ships with the following items:

- TE-XC2Se board
- USB cable
- CD-ROM with FPGA design software, software utilities, documentation, and application notes



Figure 2: Package Contents

System Requirements

The Development Platform and its accompanying software tools have the following minimum system requirements:

- IBM PC or compatible
- 128MBytes of RAM
- 500MBytes of disk space
- USB port
- Windows 2000, or Windows XP

Please note, that due to the missing USB support, the TE-XC2Se board is not compatible with Windows NT.

Software Setup

Install the Design Software

The TE-XC2Se board may be programmed using Xilinx' free *WebPACK ISE* package. We recommend using version 5.2 or later. The *Web-*

PACK ISE package is an integrated FPGA development software including design entry, Verilog and VHDL synthesis, and behavioral simulation.

In case you did not receive the software with your TE-XC2Se board, or you need to upgrade to a more recent version, visit the Xilinx web site at www.xilinx.com and download the complete ISE *WebPACK* software

Optionally, you may also download the complete MXE Simulator.

When installing the software, make sure the install path does not contain blanks. It is recommended to keep the default path suggested by the installer.

Install the Development Platform Tools

In addition to the design software, the companion CD-ROM contains the following tools:

- download utility to program your designs into the FPGA
- example designs
- documentation

Copy the contents of the CD-ROM to a directory of your choice. You should make sure, that the directory path does not contain blanks.

For convenience, you should create a shortcut to the *TEprog.exe* download utility on your desktop.

Hardware Setup

USB-powered Desktop System

The TE-XC2Se board may be powered from the USB, yielding an extremely convenient desktop development system, as no additional circuitry, power-supply or cabling is required. Perform the following steps to use this setup:

- switch *S1* to *USB* before connecting any cables
- connect the TE-XC2Se board with the USB port of your host-PC

In this setup, the switch S1 may also be used as a power switch, avoiding the need to disconnect the TE-XC2Se board from the USB. Refer to [Figure 3](#) to locate the switch S1.

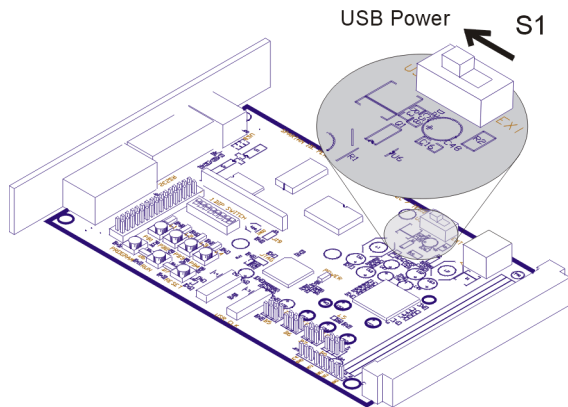


Figure 3: USB-powered Desktop System

USB ports are specified to deliver a maximum current of 500mA. Therefore, you should either connect your TE-XC2Se board directly to the host PC, or use a self-powered USB hub (with its own power-supply).

In rare occasions, you may receive a warning message from your host PC, stating that the maximum USB power consumption is exceeded. In these cases, the power LED of the TE-XC2Se does not light up. If you encounter problems powering your board from the USB, consider using the externally-powered desktop setup.

Externally-powered Desktop System

In case your system consumes more power, than the USB ports deliver, you may source your TE-XC2Se board from an external regulated 5V power supply. We recommend using an industry-standard computer supply. Perform the following steps to do so:

- switch S1 to *EXT POWER* before connecting any other cables
- Connect the TE-XC2Se board with the USB port of your host-PC
- connect the TE-XC2Se board with your power supply

See [Figure 4](#) to locate the switch S1.

Using an external power-supply is recommended in the following scenarios:

- you are working with a laptop and do not want to draw too much power from it

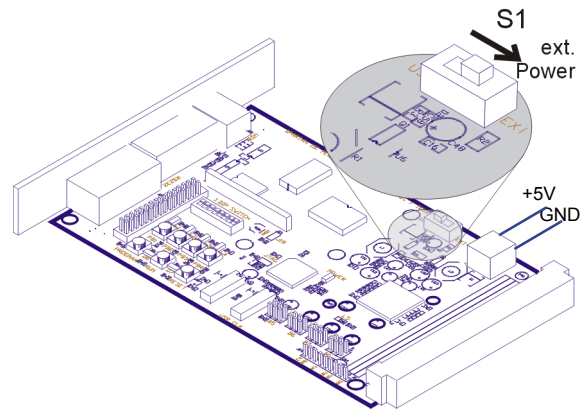


Figure 4: Externally Powered Desktop System

- you are creating a complex and high-speed design
- you are planning to attach complex peripherals to the board
- you are working with a bus-powered USB hub, which only provides 100mA of current per port

Caution: Using a power supply with the wrong voltage or polarity may cause permanent damage to the hardware. Double check your setup!

Rack-mount System

The TE-XC2Se board perfectly integrates with industry-standard 19" rack-mount systems featuring VG96 backplane connectors. To do so, perform the following steps:

- download your design to the user configuration space, using the USB-powered desktop setup
- switch S1 to *EXT POWER*
- mount the TE-XC2Se board into the rack

Caution: Using a power supply with the wrong voltage or polarity may cause permanent damage to the hardware. Double check, that power is applied to the correct pins of the VG96 connector!

Expanding the System

The TE-XC2Se board is designed as an expandable system. While the TE-XC2Se board already provides a set of commonly used peripherals, your application may require other, specialized circuitry, which may be attached to the TE-XC2Se board in various ways.

The *expansion bus* is an 8-bit bus, which is suitable to attach standard microprocessor peripherals, like timers, or I/O controllers. The size of the circuit boards is relatively small, but the expansion unit may provide I/O connectors to the front panel. [Figure 5](#) details this. Refer to the [Expansion Bus](#) section for a complete description of the available signals.

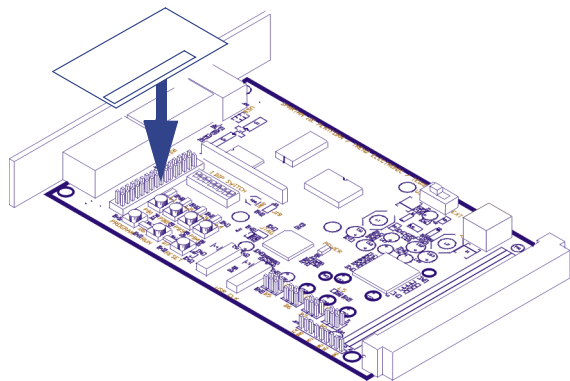


Figure 5: Connecting to the Expansion Port

More complex circuitry may be attached to the TE-XC2Se board as piggyback, as [Figure 6](#) details. The advantage of doing so is, that all signals routed to the VG96 connector are accessible, the PCB may be up to full *Euro* format, and the resulting system is very compact. However, when attaching a piggyback board, access to the push buttons and the LCD display is difficult.

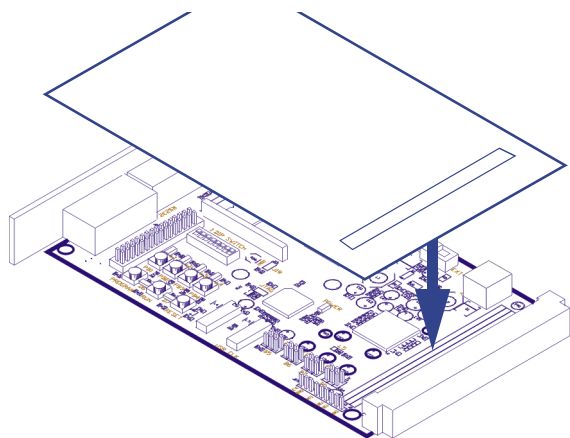


Figure 6: Expanding as Piggyback

In case a compact design is not too crucial, it is highly recommended to attach circuitry “in line” to the VG96 connector. All circuitry is easily accessible when doing so, and the boards may be assembled or de-assembled in a matter of seconds.

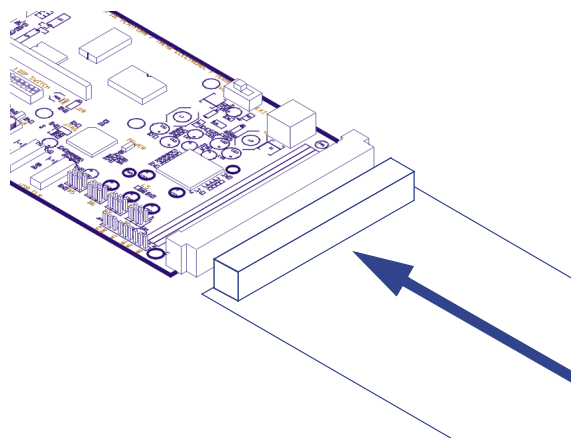


Figure 7: Expanding “in line”

Finally, the TE-XC2Se, together with the expansion circuitry, may be installed in an industry-standard 19” rack with a VG96 backplane.

Among others, suitable rack-mount systems are provided from the following manufacturers:

- Schroff
Propac line of cases or
Europack Pro line of subracks
www.schroff.de
- Apw
Diplomat line of 19” cases and case frames
www.apw.com
- Bopla
Combicard II line of card enclosure systems
www.bopla.de

FPGA Programming

The FPGA on the TE-XC2Se board is configured from on-board non-volatile flash memory. The flash memory in turn is programmed via Universal Serial Bus. The concept involves two configurations, both of them being stored in the flash memory: The *user configuration*, and the *factory configuration*.

After power-up, the *user configuration* is automatically loaded into the FPGA. The user configuration holds the latest user-defined bit-stream, which was downloaded to the board.

After pressing the *PROGRAM* button, the *factory configuration* is loaded into the FPGA. The *factory configuration* implements a USB circuitry, which is used to re-program the Flash memory with a new *user configuration*.

Once the Flash memory is re-programmed, the user may press *RUN* to load the updated user

configuration into the FPGA. Refer to [Figure 8](#) for a simple flowchart of this procedure.

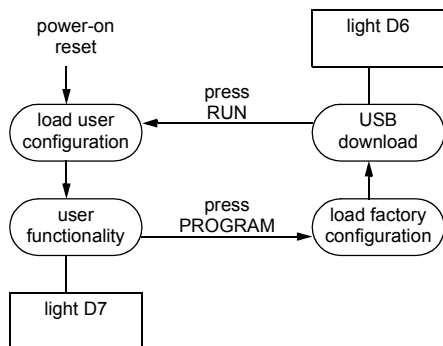


Figure 8: Programming Flow

The status of the board is indicated by two LEDs, *D6* and *D7*. Refer to [Figure 9](#) to locate the programming buttons and the LEDs.

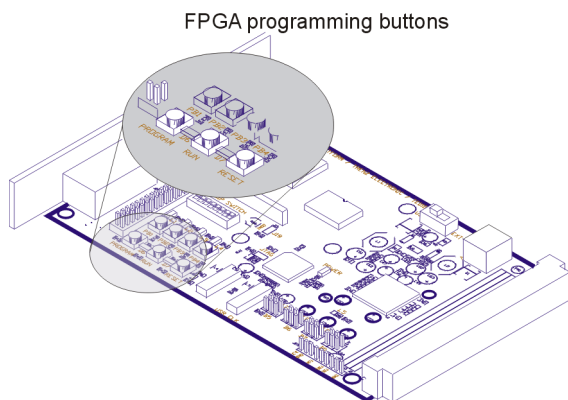


Figure 9: Locate Programming Buttons

The bitstreams loaded into the flash memory do not need to be formatted by the Xilinx *PROM File Formatter*. Instead, the bitstreams are downloaded to the board exactly as being created by Xilinx *bitgen*. The FPGA is configured in *Slave Parallel Mode*. To do so, the *Start-Up Clock* must be set to *CCLK*. Refer to the *WebPACK ISE* documentation for further details.

Once a bitstream is created, the *TE-XC2Se* download utility is used to download the bitstream to the board. The following steps need to be performed to do so:

- connect the board to the USB
- load the *factory configuration* by pressing the *PROGRAM* button

- run *TEprog.exe*

TEprog.exe uses the following syntax:

```
TEprog bitfile
TEprog /a rawfile
TEprog /f bitfile
```

When used without a parameter, the bitstream contained in *bitfile* is loaded to the *user configuration* space of the flash memory.

When used with the */a* parameter, the rawfile is loaded to the application space of the flash memory.

When used with the */f* parameter, the bitstream contained in *bitfile* is loaded to the *factory configuration* space of the flash memory.

Table 1: Address Spaces

Caution: Do not re-program the factory configuration space, unless you know exactly what you are doing! Once you re-programmed the factory configuration, downloading bitstreams via USB may no longer work!

For your daily work, we recommend using one of the following setups:

- Add a shortcut to *TEprog.exe* to your desktop. You may program a bitstream to the user configuration space, by just dragging a *bitfile* onto this shortcut.
- Create a batch file calling *TEprog.exe* with the appropriate parameters. Add this batch file to your *WebPACK ISE* project. A simple double click on this file will program the bitstream to the board- without leaving the Xilinx *Project Navigator*.

The duration of the download to the Flash memory depends on the type of the USB host controller- and not on the speed of your host PC. Refer to [Table 2](#) for typical download durations.

USB host controller	duration [seconds]
UHCI (Intel or VIA chipsets)	38
OHCI (OPTi chipsets)	14
EHCI (USB 2.0 chipsets)	12

Table 2: Download Durations

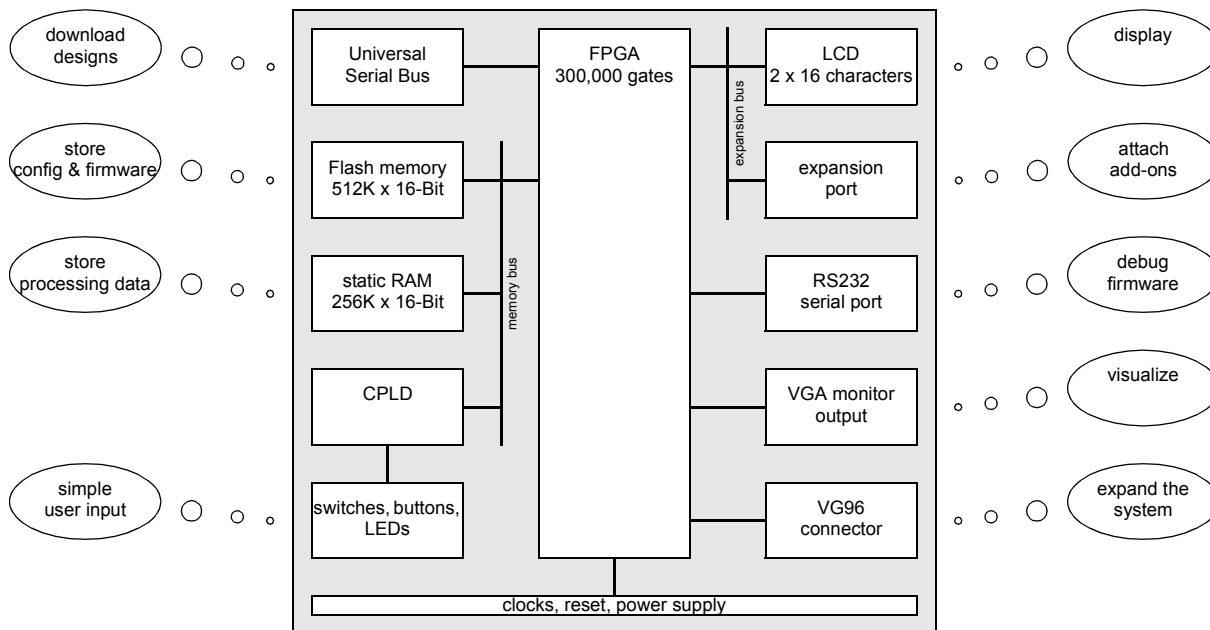


Figure 10: TE-XC2Se Block Diagram

Programmer's Models

This section describes the various building blocks of your TE-XC2Se board, and how they interact with the FPGA, from a programmer's perspective. To better serve this purpose, simplified schematics and block diagrams are used.

[Figure 10](#) shows a block diagram of the TE-XC2Se board. [Figure 11](#) helps to locate the most important components on the TE-XC2Se board.

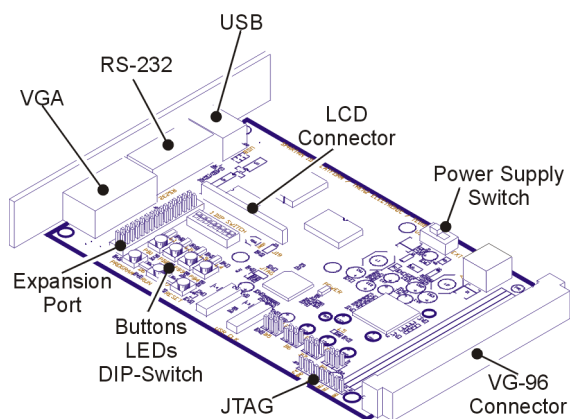


Figure 11: Locate Basic Components

FPGA

The *XC2S300E-6FT256C* FPGA from Xilinx' Spartan-IIE family of devices is the main repository of programmable logic on your TE-XC2Se board. The device provides the following key features:

- Up to 300,000 system gates
- Up to 200MHz of system performance
- Up to 98kBits of distributed RAM
- 64kBits of dedicated block RAM
- 182 User I/Os

To help measuring the capacity of the FPGA, the [Table 3](#) summarizes the resource usage of some common building blocks. Please note, that these are only rough approximations, which are highly dependent upon the actual application.

Clocks & Reset

To provide clock signals to the FPGA, two clock oscillators are provided:

- USB clock
- User clock

The *USB clock* provides a clock frequency of 48MHz, as required to implement the USB interface. This clock cannot be altered, to ensure

Function	Resource Usage	
Xilinx MicroBlaze 32-bit RISC CPU	950 LUTs	15%
USB Function Controller	380 LUTs	6%
8051 microcontroller including peripherals	2500 LUTs	40%
8-bit RISC CPU	250 LUTs	4%

Table 3: XC2S300E Resource Usage

proper operation of the USB download mechanism under all circumstances.

The *user clock* provides a clock frequency of 25MHz, suitable as dot clock for the VGA output. However, the oscillator may be substituted by any other canned crystal oscillator, depending on your application's requirements. Refer to [Figure 12](#) to locate the clock oscillator.

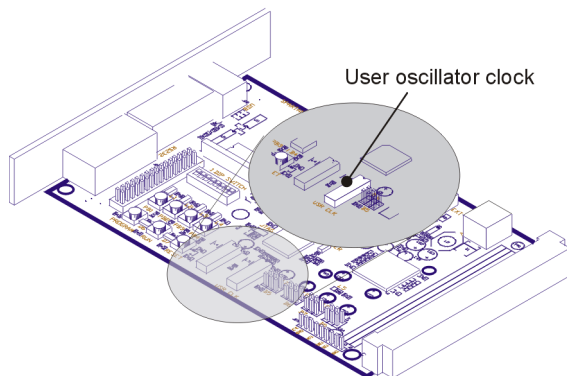


Figure 12: Locate User Clock Oscillator

The Spartan-Ile FPGA provides a total of four dedicated clock input pins, the remaining two clocks are routed to the VG96 connector. Refer to the appropriate section for further details.

Button S9, labelled *RESET*, is used to provide an asynchronous active-low reset to the FPGA. Refer to [Figure 13](#) to locate the reset button.

[Figure 14](#) illustrates the circuitry as simplified schematic diagram for quick reference.

Universal Serial Bus

A USB transceiver is attached to the FPGA, as shown in [Figure 15](#). With the FPGA running the board's *factory configuration*, the flash memory may be programmed via USB. With the FPGA

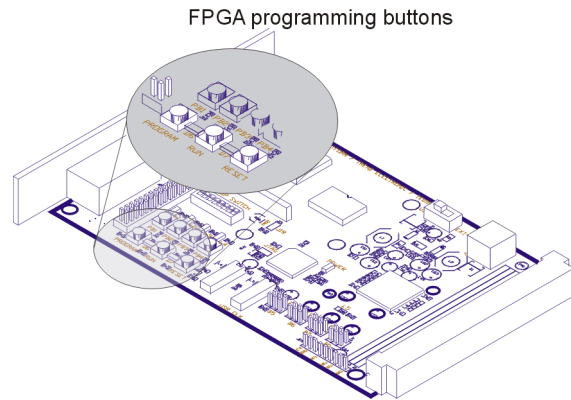


Figure 13: Locate Reset Button

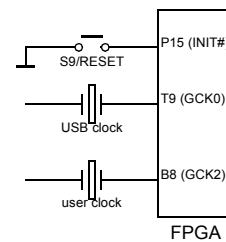


Figure 14: Clock & Reset Circuitry

running a *user configuration*, customized USB device functionality may be implemented in the FPGA, if required by your application.

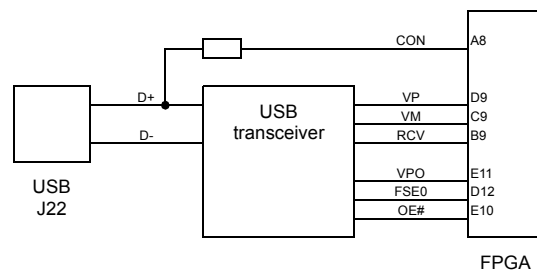


Figure 15: Universal Serial Bus

The *CON* signal is used to switch the pull-up resistor in the D+ line. By driving the *CON* pin to Vcc or high-impedance, the USB connection may be established or closed under FPGA control. This in turn, triggers the host PC to re-run USB enumeration.

The USB transceiver is wired for 12Mbps (*full speed*) operation, with the output driver in Mode 0. Consult the USB transceiver's data sheet for pin descriptions and signal waveforms.

Memory Subsystem

The memory subsystem consist of a 16-bit bus, the memory bus, with the following devices attached to it:

- flash memory

- Static RAM
- Buttons, switches, and LEDs

[Figure 16](#) illustrates the memory subsystem. As all devices share the same set of bus signals, the access to the bus is mutually exclusive.

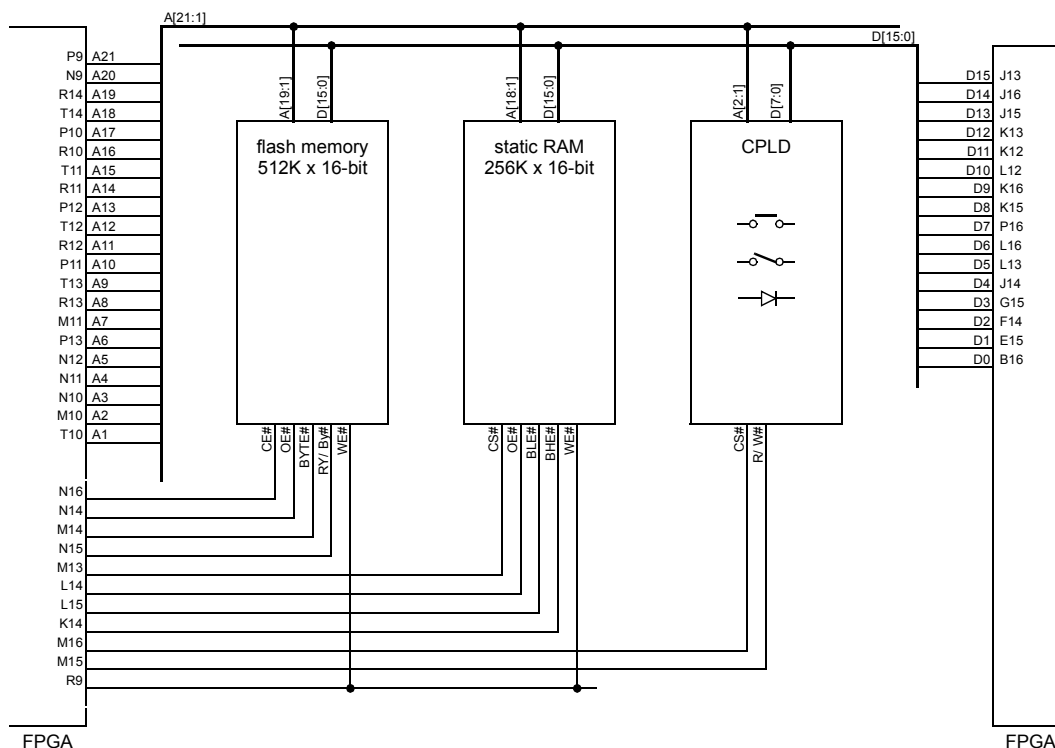


Figure 16: Memory Subsystem

Flash memory

Depending on your board type, either an *AMD* flash memory of type *AM29LV800B* with 8Mbits of storage (1Mx8/ 512Kx16), or an *AMD* flash memory of type *AM29LV160B* with 16Mbits of storage (2Mx8/ 1Mx16) is attached to the memory bus, to store the following non-volatile data:

- FPGA factory configuration
- FPGA user configuration
- application data

The *FPGA factory configuration* is used, to program the flash memory via USB. The *factory configuration* is loaded into the FPGA, whenever button *S7*, labelled *PROGRAM*, is pressed. The factory configuration occupies 256kB/ 512kB of memory and should not be altered.

The *FPGA user configuration* stores your FPGA design and is loaded into the FPGA, during power-up, or whenever button *S8*, labelled

RUN, is pressed. The *user configuration* occupies 256kB/512kB of memory, and the associated memory space should not be used for other purposes than storing an FPGA configuration.

The *application data* space may be used to store various application-dependent data, e.g. firmware or data received from a measurement unit. The application space provides 512kB/1MB of memory and may be read and written under application control.

It is highly recommended, using the download utility supplied with the Spartan-Ile Development Platform to program the flash memory. Special care should be taken, not to overwrite the factory configuration, as this will inhibit future programming of the flash memory via USB. Further details on the download mechanism may be found in the [FPGA Programming](#) section of this document. Consult the flash memory's data

sheet for timing diagrams and a description of the command set

Address	XC2S300E 1MB Flash	XC2S400E / 2MB Flash
factory configuration	0x000000 - 0x03ffff	0x000000 - 0x07ffff
user configuration	0x040000 - 0x07ffff	0x080000 - 0x0ffffff
application space	0x080000 - 0x0ffffff	0x100000 - 0x1ffffff

Table 4: Flash Memory Map

SRAM

An IDT asynchronous Static RAM of type IDT71V416S is attached to the memory bus, to store volatile data, e.g. a processor system's stack and heap data.

The RAM is fast enough to serve as zero-wait-state main memory for typical processing applications. Consult the RAM's data sheet for timing diagrams.

Switches, Buttons, and LEDs

The board provides a set of eight DIP switches, four push buttons, and four LEDs. Refer to [Figure 17](#) to locate the components.

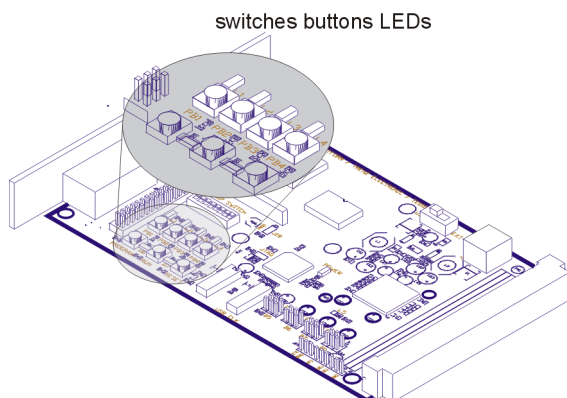


Figure 17: Locate Switches, Buttons, LEDs

The switches, buttons and LEDs are attached to the CPLD, which is in turn attached to the memory bus. [Table 5](#) shows the peripheral's memory map.

Function	Location	Direction
DIP switch S2-1 S2-2 S2-3 S2-4 S2-5 S2-6 S2-7 S2-8	0x00001 Bit 0 Bit 1 Bit 2 Bit 3 Bit 4 Bit 5 Bit 6 Bit 7	read-only
push buttons PB1 PB2 PB3 PB4	0x00000 Bit 0 Bit 1 Bit 2 Bit 3	read-only
LEDs L1 L2 L3 L4	0x00002 Bit 0 Bit 1 Bit 2 Bit 3	write-only
LED L5	FPGA Pin C15	-

Table 5: CPLD Memory Map

Note, that the registers are uni-directional, i.e. the LED register may not be read and the switch or button registers may not be written.

The CPLD read and write waveforms are similar to those of asynchronous RAMs. Refer to [Figure 18](#) and [Figure 19](#) for details.

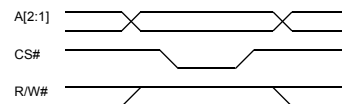


Figure 18: CPLD Read Waveforms

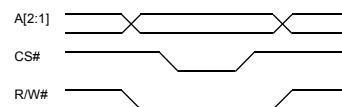


Figure 19: CPLD Write Waveforms

Expansion Bus

The TE-XC2Se board offers an 8-bit expansion bus, which can be used to expand the board with small form factor peripherals. The expansion bus is shared with the liquid crystal display, access to LCD or expansion bus is mutually exclusive. Refer to [Figure 20](#) for a simplified schematic.

The expansion bus is shared with the liquid crystal display, access to LCD or expansion bus is mutually exclusive. Refer to [Figure 20](#) for a simplified schematic.

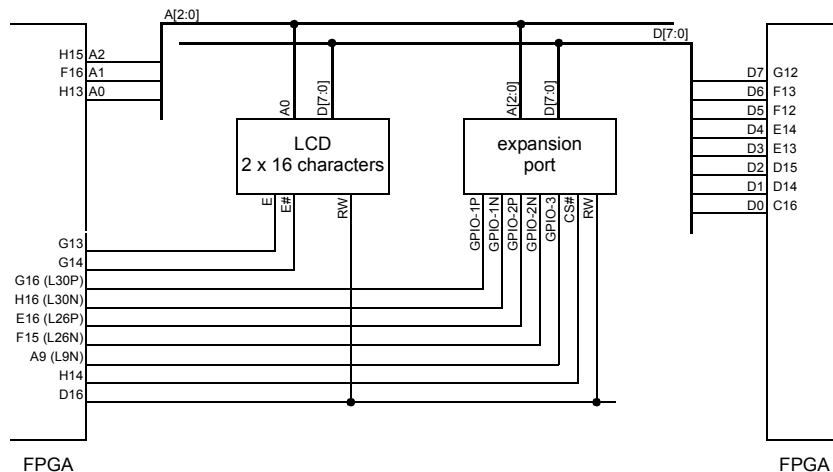


Figure 20: Expansion Bus

LCD Display

A *Polytronix* liquid crystal display of type *PC-160203* with 2x16 characters is attached to the expansion bus to provide a convenient way of visualizing textural data. The display is capable of displaying the complete range of ASCII characters, as well as user-defined symbols. Refer to the according data sheet for a description of the display's character and command set, as well as timing information. Signal *E#* is direction signal for a busdriver, and must be always negated *E*.

The display features an LED backlight, which greatly increases readability. In setups with stringent low-power requirements, the backlight may be disabled by removing jumper *J19*.

Expansion Port

The expansion port provides a convenient way of adding small form factor expansions to the TE-XC2Se board. Virtually any peripheral with a generic 8-bit microcontroller bus may be attached here. In addition, five general purpose I/Os are provided, four of them being usable as LVDS pairs.

Refer to [Figure 21](#) to locate the connector, [Figure 22](#) details the connector pinout.

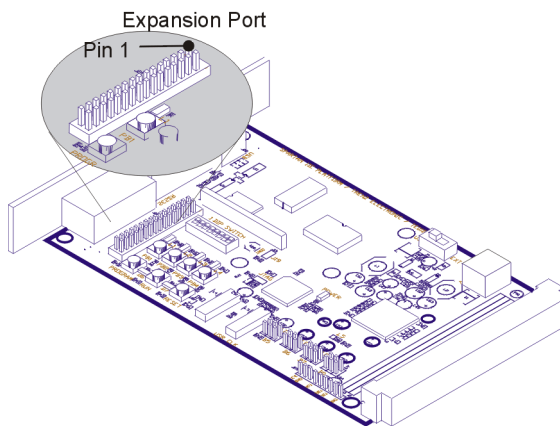


Figure 21: Locate Expansion Port

+5V	1	○ ○	2	+3.3V
GPIO1-P	3	○ ○	4	GPIO1-N
GPIO2-P	5	○ ○	6	GPIO2-N
GPIO3	7	○ ○	8	D0
D1	9	○ ○	10	D2
D3	11	○ ○	12	D4
D5	13	○ ○	14	D6
D7	15	○ ○	16	RW
CS#	17	○ ○	18	A0
A1	19	○ ○	20	A2
48MHz	21	○ ○	22	RESET#
reserved	23	○ ○	24	reserved
reserved	25	○ ○	26	GND

Figure 22: Expansion Port Pinout

Serial Port Connector

To interface standard RS232 peripherals with the TE-XC2Se board, a level shifter is attached to the FPGA. The required UART functionality may be efficiently implemented in the FPGA.

When working with soft-CPU's like Xilinx' *Micro-Blaze*, the serial port may be used for in-system debugging using *gdb* from the GNU tools collection.

The RS232 implements no handshake signals. [Figure 23](#) shows a simplified schematic diagram, refer to [Figure 24](#) for the connector pinout.

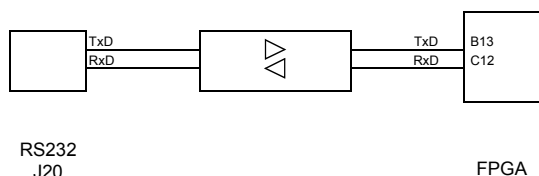


Figure 23: RS232 Circuitry

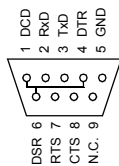


Figure 24: RS232 Connector Pinout

VGA Monitor Interface

The TE-XC2Se board provides circuitry to interface with industry-standard VGA monitors. To do so, RGB tuples along with horizontal and vertical sync pulses need to be generated inside the FPGA. A simple passive DAC creates the required analog signals. Refer to [Figure 25](#) for a simplified schematic.

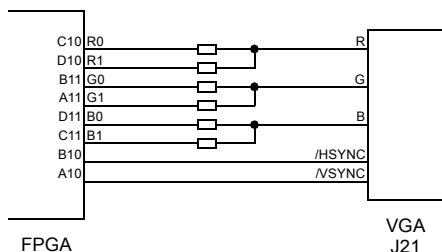


Figure 25: VGA Output Circuitry

Due to the simple design, the maximum dot clock of the VGA output is limited. As a rule of thumb a dot clock of 25MHz for 640x480 resolution at 60Hz vertical frequency is a good value. [Figure 26](#) details the pinout of the VGA connector.

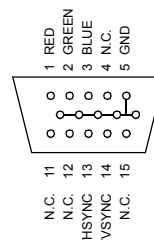


Figure 26: VGA Connector Pinout

JTAG

To allow full flexibility in programming/ configuring the FPGA and CPLD, the JTAG chain is accessible on a separate jumper. [Figure 27](#) illustrates the JTAG chain.

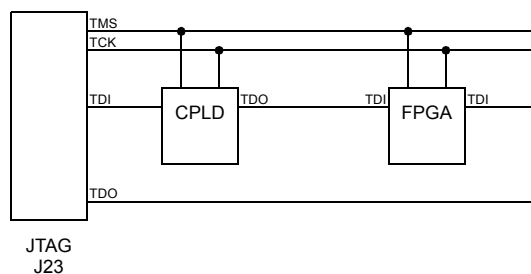


Figure 27: JTAG Chain

The pinout of J23 is compatible to the flying leads of Xilinx' *Parallel Cable III*. Refer to [Figure 28](#) for the connector pinout.

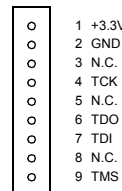


Figure 28: JTAG Connector Pinout

Before using JTAG to configure the FPGA, the configuration mode should be set accordingly. This is accomplished with *J18*, refer to [Table 6](#) for the proper settings.

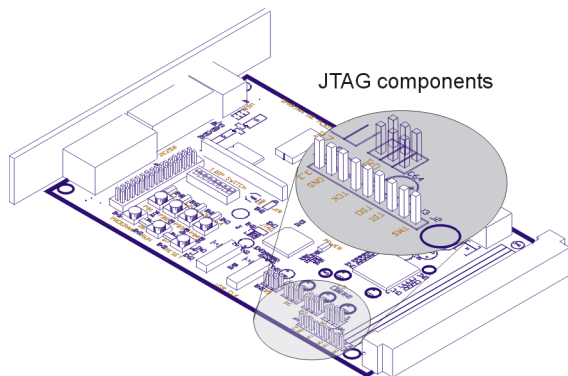
Function	J18 setting
slave parallel mode	open
boundary scan mode	closed

Table 6: J18 Settings

Please note, that access to the flash memory via JTAG is not supported. However, this may be accomplished by using additional software.

It is highly recommended not to re-program the CPLD unless you know exactly what you are doing. Reprogramming the CPLD may break the mechanism which is configuring the FPGA from flash memory.

Refer to [Figure 29](#) to locate the JTAG components.

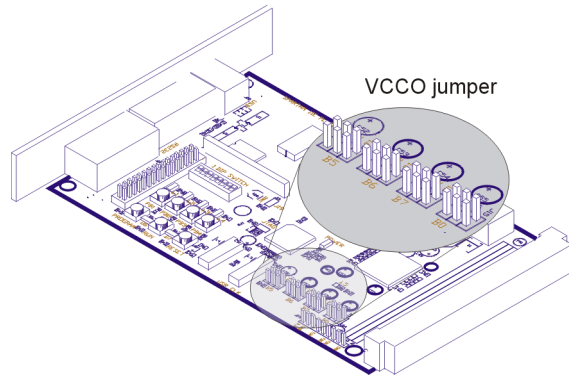
**Figure 29: Locate JTAG Connector**

VG96 Connector

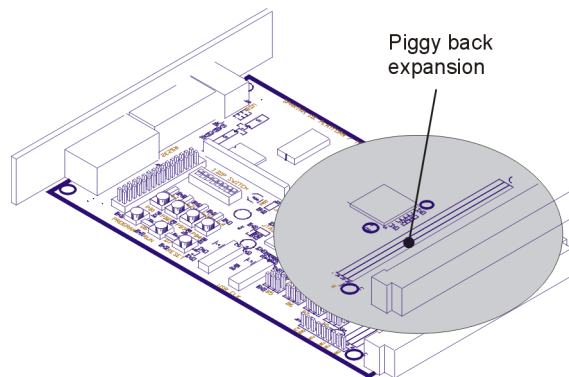
A VG96 connector is used, to attach customized peripherals to the board. The connector is designed to provide full access to the FPGA's various I/O standards, including its LVDS pairs, and access to the V_{cc0} and V_{ref} pins.

The V_{ref} voltages are applied to a number of dual-purpose pins on the VG96 connector. See the Spartan-IIE data sheet for further details.

The V_{cc0} voltages are set to either 1.8V, 2.5V, or 3.3V using 4 banks of jumpers. Refer to [Figure 30](#) to locate the V_{cc0} jumpers.

**Figure 30: Locate Vcco Jumpers**

The complete I/O banks 5, 6, 7, and 0 of the FPGA are routed to the VG96 connector, [Table 7](#) lists the available signals. The piggyback connectors J2, J3, and J4 are wired in parallel with rows A, B, and C of the VG96 connector. Refer to [Figure 31](#) to locate the piggyback connector.

**Figure 31: Locate Piggyback Connector**

Pin	A / J2			B / J3			C / J4		
	Pin	Function	Bank	Pin	Function	Bank	Pin	Function	Bank
1	-	+5V ext	-	-	+5V ext	-	-	+5V ext	-
2	R8	I/O (DLL)	5	M6	L55N	5	T8	GCK1	5
3	R7	L54N	5	P8	I/O	5	T7	L54P	5
4	R6	L56N (Vref)	5	P7	I/O	5	T6	L56P	5
5	R5	L58N (Vref)	5	T4	L60P	5	T5	L58P	5
6	M7	L53N (Vref)	5	N7	L55P	5	N8	L53P	5
7	N6	L57N	5	R4	L61P	5	P6	L57P	5
8	N5	L59N	5	T3	L60N (Vref)	5	P5	L59P	5
9	K5	L68N	6	P4	L61N	5	K4	L68P	6
10	P2	L62N	6	M4	L64N	6	P1	L62P	6
11	N1	L66N	6	M3	L64P	6	M1	L66P	6
12	N3	L63N (Vref)	6	M2	L67N (Vref)	6	N2	L63P	6
13	L2	L69N	6	L3	L67P	6	L1	L69P	6
14	K3	L70N	6	K1	L71N (Vref)	6	K2	L70P	6
15	L5	L65N (Vref)	6	J1	L71P	6	L4	L65P	6
16	J3	L72N	6	J4	I/O	6	J2	L72P	6
17	H1	L73N	7	G1	L75N	7	H2	L73P	7
18	H3	L74N	7	G2	L75P (Vref)	7	H4	L74P	7
19	G4	L76N	7	F1	L78N	7	G3	L76P	7
20	F3	L79N	7	F2	L78P	7	F4	L79P (Vref)	7
21	E1	L80N	7	E3	L81P (Vref)	7	E2	L80P	7
22	D1	L82N	7	E4	L81N	7	D2	L82P	7
23	C1	L83N (Vref)	7	D3	I/O	7	C2	L83P	7
24	G5	L77N	7	B3	I/O	0	F5	L77P	7
25	E6	L3N	0	B4	L1P	0	D6	L3P	0
26	A3	L0N (Vref)	0	C4	L1N	0	A4	L0P	0
27	B5	L4N (Vref)	0	A6	I/O	0	A5	L4P	0
28	C5	L2N (Vref)	0	A7	I/O	0	D5	L2P	0
29	C6	L5N	0	C7	L6P	0	B6	L5P	0
30	-	+3.3V out	-	B7	L6N	0	E7	L7P	0
31	D8	I/O (DLL)	0	D7	L7N (Vref)	0	C8	GCK3	0
32	-	GND	-	-	GND	-	-	GND	-

Table 7: VG96 Connector Pinout

Ordering Details

Board	Number
TE-XC2Se with XC2S300E and 1MB Flash	TE0126-00
TE-XC2Se with XC2S400E and 2MB Flash	TE0126-00B

Table 8: Ordering Details

Appendix

References

- *Spartan-IIE 1.8V FPGA Family*
Xilinx, November 9, 2001
- *FastFLASH XC9500XL*
High-Performance CPLD Family
Xilinx, June 7, 1999
- *Am29LV800B*
8 Megabit (1M x 8-Bit/ 512 K x 16-Bit)
CMOS 3.0 Volt-only
Boot Sector Flash Memory
AMD, August 14, 2000
- *IDT71V416S*
IDT71V461L
3.3V CMOS Static RAM
4 Meg (256K x 16-Bit)
IDT, August 2000

- *Character Type LCD Module*
PC-160203
Product Specification
Polytronix Inc, June, 2001
- *HD44780U (LCD-II)*
(Dot Matrix Liquid Crystal Display Controller)
Hitachi, September, 1999
- *PDIUSBP11A*
Universal Serial Bus Transceiver
Data Sheet
Philips Semiconductors, June 4, 1999
- *ISE 4 User Guide*
Xilinx, July 2001
- *Development System Reference Guide*
ISE 4
Xilinx, July 2001

Revision History

Version	Date	Who	Description
0.99	2002apr04	FB	Created
1.00	2002jul18	TT	Revised
1.01	2002aug16	TT	Minor changes
1.02	2003aug10	TT	XC2S400E

Table 9: Revisions History